



RCS solid ball kit

A solid datum ball, of known length, designed to attach to robot-mounted chucks and collets

The RCS solid ball kit can be attached directly to a robot flange or robot end-effector. It is a cost-effective option to facilitate the connection of RCS ballbar products to robots, enabling users to conduct a range of tests with the RCS Software Suite.

The RCS solid ball kit enables the design of robotic cells prior to end-user installation by using acquired nominal tool centre point (TCP) information. The kit may also be integrated as a permanent fixture to conduct regular health checks on robots, or to replace end-effectors that have no physical TCP — such as a gripper — to carry out set-up and diagnostic tests. As two attachment lengths are provided, the RCS solid ball kit can be used to determine tool vectors.

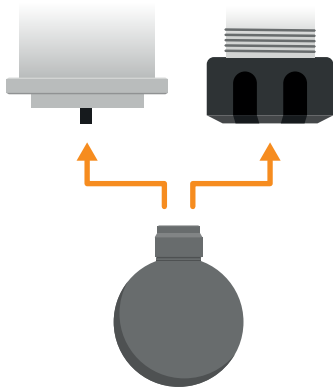
Attachment options

The solid ball may be attached to an M4 thread or clamped directly to a chuck or collet. To ensure high concentricity relative to the chuck or collet, connecting by means of one of the supplied connection rods is recommended.

The 10 mm diameter connection rod mounting shafts offer compatibility to ER16–ER40 collet sets.

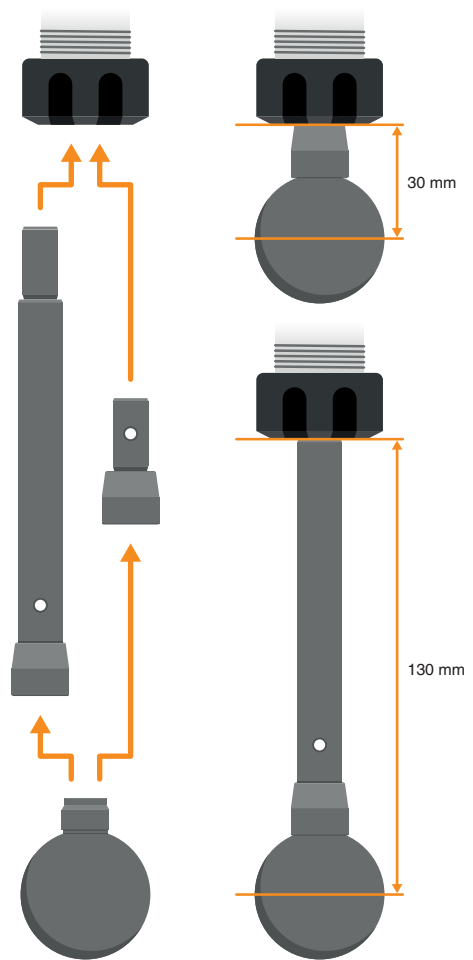
Direct solid ball attachment

Non-concentric attachment via M4 thread or chuck/collet



Connection rod attachment

Recommended for high concentricity



Kit includes:

RCS D-SB35 solid ball	A 35 mm diameter solid ball securely mounted to a stem, which can attach directly to a robot flange or via a connection rod
Short connection rod	Allows highly concentric attachment of the solid ball, offsetting the ball centre 30 mm from the mounting face
Long connection rod	Allows highly concentric attachment of the solid ball, offsetting the ball centre 130 mm from the mounting face

www.renishaw.com/industrial-automation



#renishaw

+44 (0) 1453 524524

✉ industrialautomation@renishaw.com

© 2023 Renishaw plc. All rights reserved. RENISHAW® and the probe symbol are registered trade marks of Renishaw plc. Renishaw product names, designations and the mark 'apply innovation' are trade marks of Renishaw plc or its subsidiaries. Other brand, product or company names are trade marks of their respective owners. Renishaw plc. Registered in England and Wales. Company no: 1106260. Registered office: New Mills, Wotton-under-Edge, Glos, GL12 8JR, UK.

WHILE CONSIDERABLE EFFORT WAS MADE TO VERIFY THE ACCURACY OF THIS DOCUMENT AT PUBLICATION, ALL WARRANTIES, CONDITIONS, REPRESENTATIONS AND LIABILITY, HOWSOEVER ARISING, ARE EXCLUDED TO THE EXTENT PERMITTED BY LAW.

Part no.: H-6827-8025